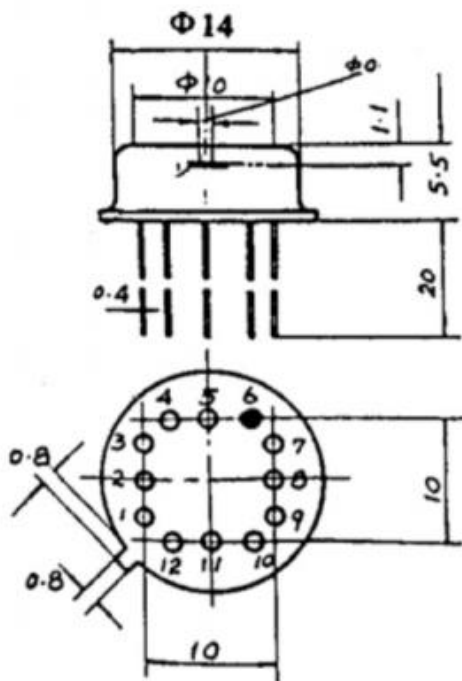


Parameter		Symbol	Unit	Numerical Value		
				Min	Typical	Max.
1	Photosurface diam	ϕ	mm		0.2	
2	Spectral range	λ	nm	900		1700
3	Dark Current	I_d	nA			10
4	Working Voltage	VR	V	30	63	70
5	Voltage responsivity	1550 nm	Rv	$V/w \times 10^5$	3.5	
		1310 nm	Rv	$V/w \times 10^5$	3.0	
6	Noise equivalent power	1550 nm	NEP	$P_w/Hz^{1/2}$		0.25
		1310 nm	NEP	$P_w/Hz^{1/2}$		0.25
7	Response Time	Rise	t_r	ns	4.5	10
		Fall	t_f	ns	4.5	10
8	Output Impedance		Ω		50	
9	Bandwidth		MHz		70	80
10	Amplifier supply voltage	V_s	V		± 5.0	
11	Amplifier supply current	$+I_s$	mA		20	
	Amplifier supply current	$-I_s$	mA		10	
12	Operating Temperature	T_A	$^{\circ}C$	-40		+70



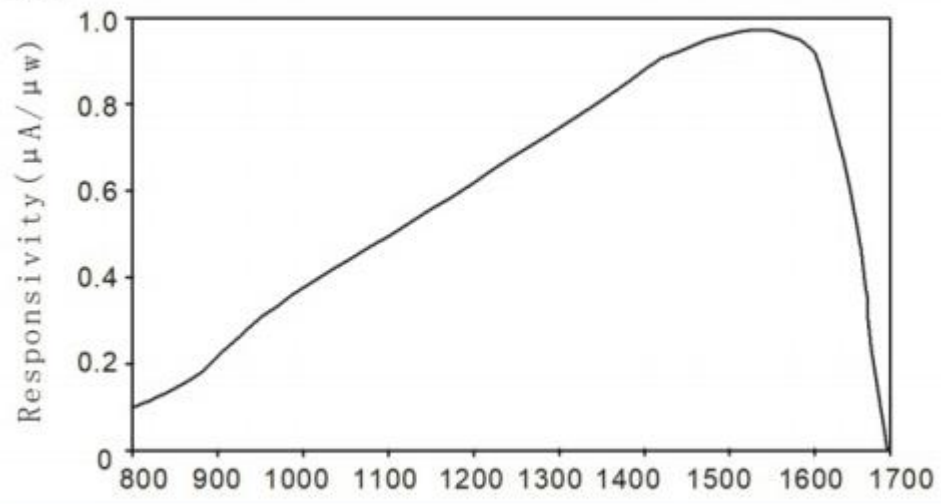
Construction and dimensions

Pin	Join Methods
1	Signal Output
2	---
3	-5V
4	APD Bias voltage
5	---
6	Pipe shell
7	---
8	temperature signal (+)
9	temperature signal (-)
10	Power Ground
11	---
12	+5V

Pin Join Methods

典型响应曲线:

M=1



Spectral response curve